

DH-SD6323C/23E/36E/70-H

23x/36x Cost-effective PTZ Dome Camera



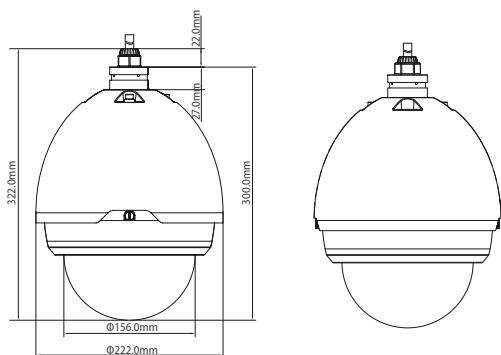
Features

- Powerful 23x/36x optical zoom
- High resolution@700TVL/650TVL/540TVL
- DWDR, Day/Night (ICR), DNR (2D&3D), Auto iris, Auto focus, AWB, AGC, BLC
- Max 300°/s pan speed, 360° continuous pan rotation
- Up to 255 presets, 5 auto scan, 8 tour, 5 pattern
- Support intelligent 3D positioning with DH-SD protocol
- IP66

Optional Model:

SD6363E-H: FCB-EX490E, 600TVL, 18x, WDR
 SD6365E-H: FCB-EX995E, 600TVL, 28x, WDR
 SD6366E-H: FCB-EX1020, 600TVL, 36x, WDR

Dimensions (mm)



Technical Specifications

Model	DH-SD6323C-H	DH-SD6323E-H	DH-SD6336E-H	DH-SD6370-H
Camera				
Image Sensor	1/4" CMOS	1/4" Super HAD CCD II		1/3" EXview HAD CCD II
Effective Pixels	640(H)×480(V)	976(H)×582(V) / 976(H)×494(V)		
Horizontal Resolution	540TVL	Color: 650TVL; B/W: 700TVL		Color: 700TVL B/W: 750TVL
Scanning System	Progressive	Interlacing		
Electronic Shutter Speed	1/50(60)s~1/100,000s	1/1s ~1/100,000s		
Min. Illumination	Color: 0.5Lux / F1.6 B/W: 0.05Lux / F1.6	Color: 0.01 Lux / F1.6 B/W: 0.001Lux / F1.6		Color: 0.001Lux / F1.6 B/W: 0.0001Lux / F1.6
S/N Ratio	More than 50dB			
Video Output	BNC (1.0Vp-p/75Ω), PAL / NTSC			
Camera Features				
Day/Night	Auto (ICR) / Color / B/W			
Backlight Compensation	BLC	BLC / HLC / DWDR (Digital WDR)		
White Balance	Auto, ATW, Indoor, Outdoor, Manual			
Gain Control	Auto / Manual			
Noise Reduction	2D	2D / 3D		
Privacy Masking	N/A	Up to 24 areas		
Digital Zoom	N/A	16x		
Lens				
Focal Length	3.9mm~89.7mm (23xOptical zoom)	3.9mm~89.7mm (23xOptical zoom)	3.4mm~122.4mm (36x Optical zoom)	3.9mm~89.7mm (23xOptical zoom)
Max Aperture	F1.6~F3.7	F1.6~F3.7	F1.6~F4.5	F1.6~F2.7
Focus Control	Auto / Manual			
Angle of View	H: 53.5°~2.62°	H: 61.68°~3.06°	H: 57.8°~1.7°	H: 57.58°~3.12°
Close Focus Distance	100mm~1000mm	10mm~1000mm		
PTZ				
Pan/Tilt Range	Pan: 0°~360° endless; Tilt: -2°~90°, auto flip 180°			
Manual Control Speed	Pan: 0.1°~250°/s; Tilt: 0.1°~150°/s			
Preset Speed	Pan: 300°/s; Tilt: 200°/s			
Preset	80 (DH-SD), 255 (Pelco-P/D)			
PTZ Mode	5 Pattern, 8 Tour, Auto Pan, Auto Scan			
Speed Setup	Human-oriented focal length / speed adaptation			
Power up Action	Auto restore to previous PTZ and lens status after power failure			
Idle Motion	Activate Preset/Pan/Scan/Tour/Pattern if there is no command in the specified period			
Time Task	Auto activation of Preset/Pan/Scan/Tour/Pattern by preset-time			
Protocol	DH-SD, Pelco-P/D (Auto recognition)			
Auxiliary Interface				
RS485	1 port			
General				
Power Supply	AC24V / 3A (±10%), DC12V optional			
Power Consumption	12W, 24W (Heater on)			
Working Environment	-40°C~60°C / Less than 90% RH			
Ingress Protection	IP66			
Vandal Resistance	IK10 (optional)			
Dimensions	Φ222mm×324mm			
Weight	5.0kg			

Accessories



DH-63FB Power Supply

Accessories(optional)



DH-PFA111 DH-PFB300C DH-PFB301C DH-PFA112 DH-PFA113 DH-PFB301S DH-PFA120 DH-PFA150 DH-PFA151