

## DH-HAC-HFW2100B

---

### 1.3Megapixel 720P Water-proof IR HDCVI Camera



#### Features

- 1/3" 1.3Megapixel CMOS
- 25/30/50/60fps@720P
- High speed, long distance real-time transmission
- HD and standard definition switch.
- OSD Menu, control over coaxial cable
- Day/Night(ICR), AWB, AGC, BLC, 3D-DNR
- 6mm fixed lens (2.8 mm, 3.6mm, 8mm optional)
- Max. IR LEDs length 30m, Smart IR
- IP66, DC12V

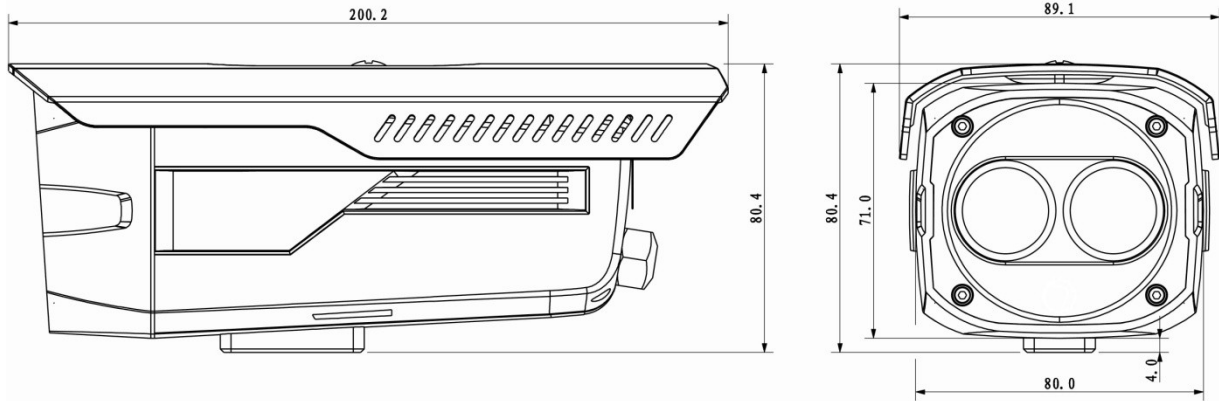
# DH-HAC-HFW2100B

## Technical Specifications

Model	DH-HAC-HFW2100BP	DH-HAC-HFW2100BN
<b>Camera</b>		
Image Sensor	1/3" 1.3Megapixel CMOS	
Effective Pixels	1280(H)×960(V)	
Electronic Shutter	4/25s~1/45,000s	4/30~1/54,000s
Video Frame Rate	1280×720@25 fps; 1280×720@30 fps; 1280×720@50 fps; 1280×720@60 fps	
Synchronization	Internal	
Min. Illumination	0.01Lux@F1.2(0Lux IR LED on)	
Video Output	1-channel BNC HDCVI high definition video output/ CVBS standard definition video output (Can switch)	
<b>Camera Features</b>		
Max. IR LEDs Length	30m, Smart IR	
Day/Night	Auto(ICR)/B&W/Color	
Noise Reduction	3D/2D	
OSD Menu	Support	
<b>Lens</b>		
Focal length	6mm (2.8 mm, 3.6mm, 8mm optional)	
Mount Type	M12	
<b>General</b>		
Power Supply	DC12V±10%	
Power Consumption	Max 6W	
Working Environment	-30°C~+60°C Humidity is less than 95%(no condensation)	
Transmission Distance	Over 500m via 75-3 coaxial cable	
Ingress Protection	IP66	
Dimensions(W×D×H)	89.1mm×200.2mm×80.4mm	
Weight	580g	

# DH-HAC-HFW2100B

## Dimensions (mm)



---

### Dahua Technology Co., Ltd.

1187 BinAn Road, Binjiang District, Hangzhou, China

Tel: +86-571-87688883

Fax: +86-571-87688815

Email: [overseas@dahuatech.com](mailto:overseas@dahuatech.com)

[www.dahuasecurity.com](http://www.dahuasecurity.com)

\*Design and specifications are subject to change without notice.

© 2013 Dahua Technology Co., Ltd.