

## DH-IPC-HFW2220R-ZS/VFS-IRE6

---

2MP Full HD Network IR Bullet Camera



### Features

- 1/2.8" 2Megapixel progressive CMOS
- H.264 & MJPEG dual-stream encoding
- 25/30fps@1080P(1920x1080)
- DWDR, Day/Night(ICR), 3DNR, AWB, AGC, BLC
- Multiple network monitoring: Web viewer, CMS(DSS/PSS) & DMSS
- 2.7~12mm varifocal lens
- Max IR LEDs Length 60m
- IP67, PoE

# DH-IPC-HFW2220R-ZS/VFS-IRE6

## Technical Specifications

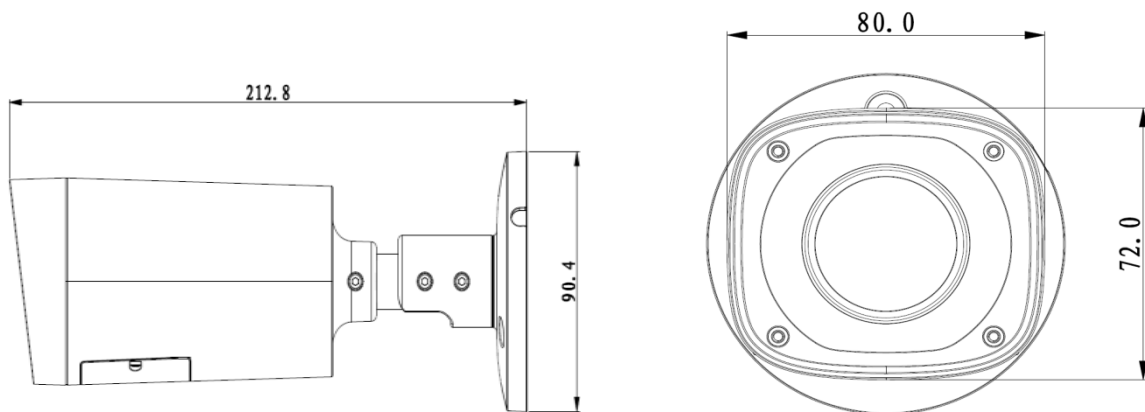
Model	DH-IPC-HFW2220R-VFS-IRE6		DH-IPC-HFW2220R-ZS-IRE6
<b>Camera</b>			
Image Sensor	1/2.8" 2Megapixel progressive scan CMOS		
Effective Pixels	1984(H)x1121(V)		
Scanning System	Progressive		
Electronic Shutter Speed	Auto/Manual, 1/3(4)~1/100000s		
Min. Illumination	0.01Lux/F1.4 (Color), 0Lux/F1.4(IR on)		
S/N Ratio	More than 50dB		
Video Output	N/A		
<b>Camera Features</b>			
Max. IR LEDs Length	60m		
Day/Night	Auto(ICR)/Color/B/W		
Backlight Compensation	BLC / HLC / DWDR		
White Balance	Auto/Manual		
Gain Control	Auto/Manual		
Noise Reduction	3D		
Privacy Masking	Up to 4 areas		
<b>Lens</b>			
Focal Length	2.7mm~12mm	2.7mm~12mm	
Max Aperture	F1.4	F1.4	
Focus Control	Manual	Auto	
Angle of View	H: 98° ~ 30°	H: 98° ~ 30°	
Lens Type	Manual/ Fixed Iris	Motorized/ Fixed Iris	
Mount Type	Board-in Type	Board-in Type	
<b>Video</b>			
Compression	H.264/ H.264H/ MJPEG		
Resolution	1080P(1920x1080)/1.3M(1280x960)/720P(1280x720)/D1(704x576 /704x480)/CIF(352x288/352x240)		
Frame Rate	Main Stream	1080P/960P/720P(1 ~ 25/30fps)	
	Sub Stream	D1/CIF(1 ~ 25/30fps)	
Bit Rate	H.264: 40K ~ 8192Kbps;		
<b>Audio</b>			
Compression	N/A		
Interface	N/A		
<b>Network</b>			
Ethernet	RJ-45 (10/100Base-T)		
Wi-Fi	N/A		
Protocol	IPv4/IPv6, HTTP, HTTPS, SSL, TCP/IP, UDP, UPnP, ICMP, IGMP, SNMP, RTSP, RTP, SMTP, NTP, DHCP, DNS, PPPOE, DDNS, FTP, IP Filter, QoS, Bonjour		
Compatibility	ONVIF, CGI, PSIA		
Max. User Access	20 users		

## DH-IPC-HFW2220R-ZS/VFS-IRE6

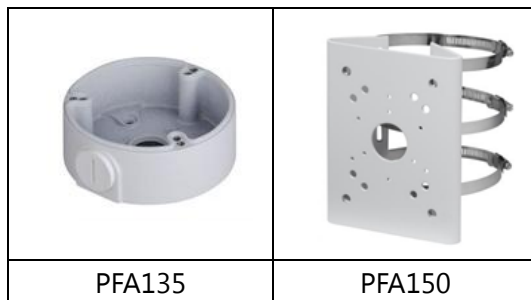
Smart Phone	iPhone, iPad, Android, Windows Phone	
<b>Auxiliary Interface</b>		
Memory Slot	Micro SD , Max 128GB	
RS485	N/A	
Alarm	N/A	
PIR Sensor Range	N/A	
<b>General</b>		
Power Supply	DC12V/PoE (802.3af)	
Power Consumption	Max 5W	Max 9.5W
Working Environment	-30°C~+60°C, Less than 95% RH	
Ingress Protection	IP67	
Vandal Resistance	N/A	
Dimensions	72mm×80mm×212.8mm	
Weight	0.65kg	

# DH-IPC-HFW2220R-ZS/VFS-IRE6

## Dimensions (mm)



## Accessory (optional)



---

## Dahua Technology Co., Ltd.

1199 BinAn Road, Binjiang District, Hangzhou, China

Tel: +86-571-87688883

Fax: +86-571-87688815

Email: [overseas@dahuatech.com](mailto:overseas@dahuatech.com)

[www.dahuasecurity.com](http://www.dahuasecurity.com)

\*Design and specifications are subject to change without notice.

© 2016 Dahua Technology Co., Ltd.