

SRM-872

8CH Mobile Network Video Recorder

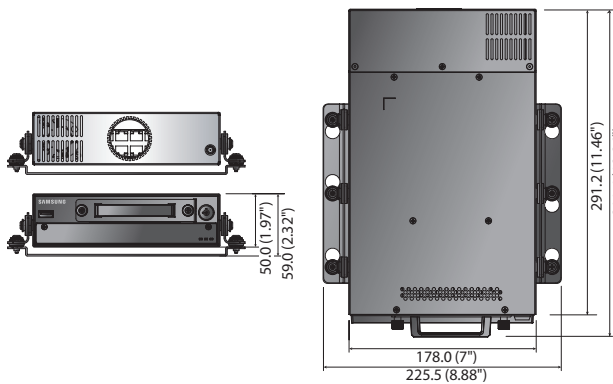


Key Features

- Up to 8CH 3megapixel supported
- 64Mbps network camera recording
- Plug & Play by 8 PoE ports
- 1 Hot swap HDD (2.5")
- HDMI / VGA local monitor
- GPS supported
- Standards approval for transportation (Railway, Bus)

Dimensions

Unit : mm (inch)



Accessories



SRM-872

DISPLAY			
N/W Camera	Inputs	Up to 8CH	
	Resolution	CIF ~ 5M	
	Protocols	SUNAPI, ONVIF	
Live	Local Display	HDMI / VGA	
	Multi Screen Display	1 / 4 / 9 / Sequence, 8x D-zoom	
PERFORMANCE			
Operating System	Embedded	Linux	
	Compression	H.264, MJPEG	
Recording	Recording Bit Rate	64Mbps	
	Resolution	CIF ~ 5M	
	Mode	Manual, Schedule (Continuous / Event), Event (Pre / Post), Emergency	
	Event Trigger	Alarm input (8), Video loss, IP camera event (Sensor, MD, Video analytics)	
	Event Action	Alarm out, e-mail	
Search & Playback	Playback Bandwidth	64Mbps (8CH simultaneously)	
	Search Mode	Date & Time (Calendar) / Event log list	
	Simultaneous Playback	8CH	
	Resolution	CIF ~ 5M	
Storage	Playback Function	Fast forward / backward, Move one step up / down	
	Built-in HDD	1 SATA (2.5" HDD / SSD, Front-Swap)	
Backup	Max. Internal HDD	2TB (HDD), 500GB (SSD)	
	File Format	[USB] EXE / SEC / AVI / STRG, [Web] SEC, [SmartViewer] SEC/AVI	
Sensor	Function	8CH playback, Date / Time display	
	I/O	8 / 8 (NO / NC selectable)	
Audio	Inputs	Network camera audio input, up to 8CH	
	Compression	G.711, G.726	
	Ext. Audio Output	1 stereo jack (3.5mm, Line)	
	Audio Communication	2-way	
NETWORK			
Protocol Support		TCP/IP, DHCP, PPPoE, SMTP, NTP, HTTP, DDNS, RTP, RTSP, UDP	
DDNS		iPOLiS DDNS	
Network	Transmission Bandwidth	Max. 64Mbps	
Max. Remote Users		Search 3 / Live unicast 10 / Live multicast 10	
IP		IPv4 / IPv6	
Security		Password, Watermark	
Wireless		Support external wireless dongle (802.11a/b/g/n/ac, SEA-W01AC)	
GUI / Web		English, French, German, Spanish, Italian, Korean, Russian, Swedish, Danish, Portuguese, Czech, Polish, Turkish, Rumanian, Serbian, Dutch, Croatian, Hungarian, Greek, Finnish, Norwegian	
OS		Windows Vista SP2, 7, 8 / Mac OS : OSX 10.7.3 or above	
Web Browser		Window : IE 9, 10, 11 (Recommended IE 10 over), Chrome 26.x over Mac : Safari 6.0.3 over	
Viewer Software	Type	SSM, Webviewer, SmartViewer, iPolis mobile viewer	
Software	CMS Support	SDK / CGI (SUNAPI)	
INDICATOR / INTERFACE			
Front	LED Indicator	Power 1, Alarm 1, Record 1	
	HDMI / VGA	1ea	
	Audio	Out 2ea (Total), Main unit : Phone jack 1ea, Control box : RCA 1ea	
Connections	Ethernet	RJ-45 12ea (Total) Network : 1ea, Control box : 2ea, I/O box : 1ea, PoE : 8ea	
	Alarm	In / Out - 8ea (Terminal block, NO / NC selectable)	
	USB	Front 3ea	
	GPS / Glonass	1ea (SMA)	
	Power Cord	Square 4pin connector 1ea	
	FUNCTIONS		
	Power Management	Shutdown Delay	1min. ~ 30min. (User selectable)
Digital Signage		Support up to max. 1GB signage video playback, Upload via FTP	
System	Log	Max. 20,000 (System log, Event log each)	
GENERAL			
Electrical	Input Voltage	12 ~ 24V DC	
	Power Consumption	Total : Max. 89W, Main unit : Max. 30W Camera : Max. 64W (Max. 8W per channel, IEEE 802.3af, Class2)	
	Camera Power Output	Max. Total 64W (PoE)	
Environmental	Operating Temperature	-25°C ~ +50°C (-13°F ~ +122°F)	
	Operating Humidity	20% ~ 85% RH	
Mechanical	Color / Material	Black / Metal	
	Dimensions (WxHxD)	Main unit : 225.5 x 59.0 x 311.4mm (8.88" x 2.32" x 12.26") (1 DIN, Include bracket) Control box : 121.0 x 32.0 x 75.0mm (4.76" x 1.26" x 2.95") I/O box : 155.0 x 44.0 x 70.0mm (6.1" x 1.73" x 2.76")	
	Weight	Main unit : 2.16Kg (4.76 lb) (without HDD) Control box : 0.18Kg (0.4 lb), I/O box : 0.35Kg (0.77 lb)	
Approvals		CE, FCC (Class A), cUL, e-Mark, EN50121-3-2, EN 61373, EN 50155, EN 50121-4, MIL STD-810F Method 516.5 Procedure I, MIL STD-810F Method 514.5, KC	

*The latest product information / sepecification can be found at <http://security.hanwhatechwin.com>