

## HED1PR3/HED3PR3

### Performance Series IP 1.3 MP/3 MP True Day/Night IR Indoor/Outdoor Ball Camera

The HED1PR3 and HED3PR3 are affordable, fully featured IP cameras that pair perfectly with a 4/8/16-channel Performance Series Embedded NVR\*.

#### Superior Image Quality

- HED3PR3: 3 MP (20 fps) and Full HD 1080p (25/30 fps) image with 1/3" 3 MP sensor, true widescreen image on a 16:9 display, 12.5% more horizontal pixel density than conventional 3 MP 4:3 (2048x1536) cameras
- HED1PR3: 1.3 MP (25/30 fps) and HD 720p (25/30fps) image with 1/3" 1.3 MP sensor
- True Day/Night capability, vivid colour pictures by day and clear black-and-white pictures at night with ICR
- Excellent low-light performance with 3D Noise Reduction, saving storage and bandwidth together with H.264 High Profile codec

#### Flexible Surveillance Solution

- IR LEDs provide up to 30 m (100 ft) of illumination in dimly lit or nighttime scenes
- Smart IR technology for even distribution of IR
- Waterproof (IP66) camera housing is perfect for outdoor installations
- Small form factor, inconspicuous after installation
- 2.8 mm F2.1 fixed lens for wide field of view
- Monitor from anywhere using HonView Touch mobile app for both Apple® and Android™ smart phones and tablet computers
- Configurable motion detection and camera tamper detection settings, including configurable alarm notifications

#### Easy to Install and Use

- Compact design for fast, easy installation
- Built-in PoE (Power over Ethernet) eliminates separate power supply and associated wiring; 12 V DC inputs where PoE power is unavailable
- Plug-and-play with a Honeywell 4/8/16-channel Performance Series Embedded NVR
- Remote configuration and firmware updating through the Honeywell Viewer web client and the Honeywell Config tool

#### Market Opportunities

These fully featured IP cameras perfectly complement your Embedded IP NVR and are an excellent, cost-effective option for both indoor and outdoor surveillance applications, including retail stores, schools, colleges, hospitals, commercial sites, industrial parks, airports, gated entrances, loading docks, and driveway.



HED1PR3 / HED3PR3



# HED1PR3/HED3PR3 Specifications

MODEL	HED1PR3		HED3PR3	
<b>CAMERA</b>				
IMAGE SENSOR	1/3" 1.3 megapixel progressive scan CMOS		1/3" 3 megapixel progressive scan CMOS	
EFFECTIVE PIXELS	1280 (H) × 960 (V)		2304 (H) × 1296 (V)	
ELECTRONIC SHUTTER SPEED	Auto/Manual, 1/3–1/30000 s			
MIN. ILLUMINATION	0.08 lux, F2.1 (Colour); 0 lux (IR LEDs on)		0.045 lux, F2.1 (Colour); 0 lux (IR LEDs on)	
S/N RATIO	More than 50 dB			
<b>CAMERA FEATURES</b>				
IR DISTANCE	Up to 30 m (100 ft), depending on scene reflectance			
DAY/NIGHT	Auto (ICR)/Colour/BW			
BACKLIGHT COMPENSATION	BLC/HLC/DWDR			
WHITE BALANCE	Auto/Manual			
GAIN CONTROL	Auto/Manual			
NOISE REDUCTION	3D			
PRIVACY MASKING	Up to 4 areas			
<b>LENS</b>				
FOCAL LENGTH	2.8 mm			
MAX. APERTURE	F2.1			
HORIZONTAL ANGLE OF VIEW	89°		92°	
LENS TYPE	Fixed			
<b>VIDEO</b>				
COMPRESSION	H.264 (Main/High/Baseline Profile)/MJPEG			
RESOLUTION	1.3 MP (1280×960), 720p (1280×720), D1 (704×576/704×480), CIF (352×288/352×240)		3 MP (2304×1296), 1080p (1920×1080), 720p (1280×720), D1 (704×576/704×480), CIF (352×288/352×240)	
FRAME RATE	MAIN STREAM	1.3 MP/720p (1–25/30 fps)		3 MP (1–20 fps), 1080p (1–25/30 fps)
	SUB STREAM	D1, CIF (1–25/30 fps)		
BIT RATE	H.264: 4–8192 kbps			
CORRIDOR MODE	Support			
<b>NETWORK</b>				
ETHERNET	RJ-45 (10/100Base-T)			
PROTOCOL	IPv4/IPv6, HTTP, HTTPS, TCP/IP, UDP, UPnP, ICMP, IGMP, RTSP, RTP, SMTP, NTP, DHCP, DNS, PPPoE, DDNS, FTP, IP Filter, QoS, 802.1X - (HED3PR3 only).			
COMPATIBILITY	ONVIF Profile S			
MAX. USER ACCESS	20 users			
MOBILE APP	HonView Touch for iPhone, iPad, Android Phone and Tablet			
<b>GENERAL</b>				
POWER SUPPLY	PoE (802.3af), 12 VDC			
POWER CONSUMPTION	3.8 W max. (IR LEDs on)		3.7 W max. (IR LEDs on)	
WORKING ENVIRONMENT	–30°C to 60°C (–22°F to 140°F); 10% to 100% RH, condensing			
INGRESS PROTECTION	IP66			
DIMENSIONS	108 × 84 mm (4.25 × 3.31 in.)			
WEIGHT	0.25 kg (0.55 lb)			
REGULATORY	FCC, Part 15B, Class B			

# HED1PR3/HED3PR3 Ordering

## RECOMMENDED ACCESSORIES

### MOUNT

HQA-WK	Wall Mount for Dome and Ball Cameras
HBS2-BB	Junction Box
HEJB	Junction Box
HB34S2-CM	Corner Mount (for use with HBS2-BB or HEJB)
HQA-PM	Pole Mount (for use with HBS2-BB or HEJB)

### SYSTEM COMPATIBILITY

HEN041**(X)	H.264 4-Channel 1080p Embedded Network Video Recorder (1 or 2 TB)*
HEN081**(X)	H.264 8-Channel 1080p Embedded Network Video Recorder (2, 4 or 6 TB)
HEN161**(X)	H.264 16-Channel 1080p Embedded Network Video Recorder (3 or 6 TB)

\* The 4 channel NVR models do not support 3MP cameras unless they are in 1080p mode

\*\* Denotes additional NVR model options

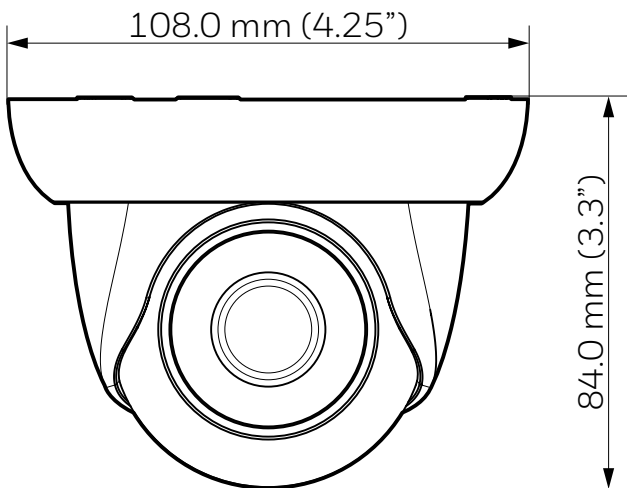
## ORDERING

### HONEYWELL PERFORMANCE SERIES IP CAMERAS

HED1PR3	Network TDN IR Indoor/Outdoor Ball Camera, 1/3" CMOS, 1.3 MP, 2.8 mm Fixed, 12 IR LEDs, PoE, H.264
HED3PR3	Network TDN IR Indoor/Outdoor Ball Camera, 1/3" CMOS, 3 MP, 2.8 mm Fixed, 12 IR LEDs, PoE, H.264

## DIMENSIONS

HED1PR3/HED3PR3



**Find out more:**

[www.security.honeywell.com/performance\\_uk](http://www.security.honeywell.com/performance_uk)

Email: [securitysales@honeywell.com](mailto:securitysales@honeywell.com)

**Honeywell Security and Fire**

Europe, Middle East and Africa

**United Kingdom**

Aston Fields Road

Whitehouse Industrial Estate

Runcorn

Cheshire

WA7 3DL

United Kingdom

Tel: +44 (0)8448 000 235

[www.honeywell.com/security/uk](http://www.honeywell.com/security/uk)

**Middle East**

Emaar Business Park, Sheikh Zayed Road

Building No. 2, 3rd Floor, Office No. 301

Post Office Box 232362

Dubai

United Arab Emirates

Tel: +971 44541704

[www.honeywell.com/security/me](http://www.honeywell.com/security/me)

**South Africa**

Honeywell House – Treur Close Waterfall Park

Gauteng

PO Box 6674

Midrand 1685

South Africa

Tel: +27 (0)11 695 8000

[www.honeywell.com/security/za](http://www.honeywell.com/security/za)

**Italy**

Via della Resistenza, 53/59

20090 Buccinasco

Milano

Italia

Tel: +39 (0) 248 880 51

[www.honeywell.com/security/it](http://www.honeywell.com/security/it)