

HBD1PR1/HBD3PR1/HBD3PR2

Performance Series IP 1.3 MP/3 MP True Day/Night IR Indoor/Outdoor Bullet Camera

The HBD1PR1, HBD3PR1, and HBD3PR2 are affordable, fully featured IP cameras that pair perfectly with a 4/8/16-channel Performance Series Embedded NVR*.

Superior Image Quality

- HBD3PR1/HBD3PR2: 3 MP (20 fps) and Full HD 1080p (25/30 fps) image with 1/3" 3 MP sensor, true widescreen image on a 16:9 display, 12.5% more horizontal pixel density than conventional 3 MP 4:3 (2048x1536) cameras
- HBD1PR1: 1.3 MP (25/30fps) and HD 720p (25/30 fps) image with 1/3" 1.3 MP sensor
- True Day/Night capability, vivid colour pictures by day and clear black-and-white pictures at night with ICR
- Excellent low-light performance with 3D Noise Reduction, saving storage and bandwidth together with H.264 High Profile codec

Flexible Surveillance Solution

- IR LEDs provide up to 30 m (100 ft) of illumination in dimly lit or nighttime scenes
- Smart IR technology for even distribution of IR
- Waterproof (IP66) camera housing is perfect for outdoor installations
- 2.7–12 mm F1.4 motorized focus/zoom lens (HBD3PR2) and 3.6 mm F2.1 fixed lens (HBD1PR1/HBD3PR1) provide wide range of field of view options
- Monitor from anywhere using HonView Touch mobile app for both Apple® and Android™ smart phones and tablet computers
- Configurable motion detection and camera tamper detection settings, including configurable alarm notifications

Easy to Install and Use

- Compact design for fast, easy installation
- Built-in PoE (Power over Ethernet) eliminates separate power supply and associated wiring; 12 V DC inputs where PoE power is unavailable
- Plug-and-play with a Honeywell 4/8/16-channel Performance Series Embedded NVR
- Remote configuration, motorized zoom adjustments and auto focus (HBD3PR2) through Honeywell Viewer web client or Embedded NVR

Onboard Video Storage

- HBD3PR2: Supports up to 128 GB microSDHC (Class 10) card for local video storage when network is interrupted (card not included)

Market Opportunities

These fully featured IP cameras perfectly complement your Embedded IP NVR and are an excellent, cost-effective option for both indoor and outdoor surveillance applications, including retail stores, schools, colleges, hospitals, commercial sites, industrial parks, airports, gated entrances, loading docks, and driveways.



HBD3PR2



HBD1PR1/HBD3PR1



* The 4 channel NVR models do not support 3MP cameras unless they are in 1080p mode

HBD1PR1/HBD3PR1/HBD3PR2 Specifications

MODEL	HBD1PR1	HBD3PR1	HBD3PR2
CAMERA			
IMAGE SENSOR	1/3" 1.3 megapixel progressive scan CMOS	1/3" 3 megapixel progressive scan CMOS	
EFFECTIVE PIXELS	1280 (H) × 960 (V)	2304 (H) × 1296 (V)	
ELECTRONIC SHUTTER SPEED	Auto/Manual, 1/3–1/30000 s	Auto/Manual, 1–1/100000 s	Auto/Manual, 1/3(4)–1/100000 s
MIN. ILLUMINATION	0.08 lux, F2.1 (Colour); 0 lux (IR LEDs on)	0.045 lux, F2.1 (Colour); 0 lux (IR LEDs on)	0.1 lux, F1.4 (Colour); 0 lux (IR LEDs on)
S/N RATIO	More than 50 dB		
CAMERA FEATURES			
IR DISTANCE	Up to 30 m (100 ft), depending on scene reflectance		
DAY/NIGHT	Auto(ICR)/Colour/BW		
BACKLIGHT COMPENSATION	BLC/HLC/DWDR		
WHITE BALANCE	Auto/Manual		
GAIN CONTROL	Auto/Manual		
NOISE REDUCTION	3D		
PRIVACY MASKING	Up to 4 areas		
LENS			
FOCAL LENGTH	3.6 mm		2.7–12 mm
MAX. APERTURE	F2.1		F1.4
FOCUS CONTROL	Fixed		Auto
HORIZONTAL ANGLE OF VIEW	71°	81°	86°–28°
LENS TYPE	Fixed		Motorized focus/zoom
VIDEO			
COMPRESSION	H.264 (Main/High/Baseline Profile)/MJPEG		
RESOLUTION	1.3 MP (1280×960), 720p (1280×720), D1 (704×576/704×480), CIF (352×288/352×240)	3 MP (2304×1296), 1080p (1920×1080), 720p (1280×720), D1 (704×576/704×480), CIF (352×288/352×240)	
FRAME RATE	MAIN STREAM	1.3 MP, 720p (1–25/30 fps)	3 MP (1–20 fps), 1080p (1–25/30 fps)
	SUB STREAM	D1, CIF (1–25/30 fps)	
BIT RATE	H.264: 4–8192 kbps		
CORRIDOR MODE	Support		
NETWORK			
ETHERNET	RJ-45 (10/100Base-T)		
PROTOCOL	IPv4/IPv6, HTTP, HTTPS, TCP/IP, UDP, UPnP, ICMP, IGMP, RTSP, RTP, SMTP, NTP, DHCP, DNS, PPPoE, DDNS, FTP, IP Filter, QoS, 802.1X (excludes HBD1PR1).		
COMPATIBILITY	ONVIF Profile S, Profile G (HBD3PR2 only)		
MAX. USER ACCESS	20 users		
MOBILE APP	HonView Touch for iPhone, iPad, Android Phone and Tablet		
AUXILIARY INTERFACE			
MEMORY SLOT	N/A		microSD (128 GB)
GENERAL			
POWER SUPPLY	PoE (802.3af), 12 V DC		
POWER CONSUMPTION	4.8 W max. (IR LEDs on)	4.7 W max. (IR LEDs on)	8.5 W max. (IR LEDs on)
WORKING ENVIRONMENT	–30°C to 60°C (–22°F to 140°F); 10% to 100% RH, condensing		
INGRESS PROTECTION	IP66		
DIMENSIONS	165.0 × 70.0 mm (6.5" × 2.76")		214.8 × 90.4 mm (8.46" × 3.56")
WEIGHT	0.38 kg (0.84 lb)	0.38 kg (0.84 lb)	0.65 kg (1.43 lb)
REGULATORY	FCC, Part 15B, Class B		

HBD1PR1/HBD3PR1/HBD3PR2 Ordering

RECOMMENDED ACCESSORIES

MOUNTS

HBS2-BB	Junction Box
HEJB	Junction Box (for HBD1PR1 and HBD3PR1 only)
HB34S2-CM	Corner Mount (for use with HBS2-BB or HEJB)
HQA-PM	Pole Mount (for use with HBS2-BB or HEJB)

SYSTEM COMPATIBILITY

HEN041**(X)	H.264 4-Channel 1080p Embedded Network Video Recorder (1 or 2 TB)*
HEN081**(X)	H.264 8-Channel 1080p Embedded Network Video Recorder (2, 4 or 6 TB)
HEN161**(X)	H.264 16-Channel 1080p Embedded Network Video Recorder (3 or 6 TB)

* The 4 channel NVR models do not support 3MP cameras unless they are in 1080p mode

** denotes additional NVR model options

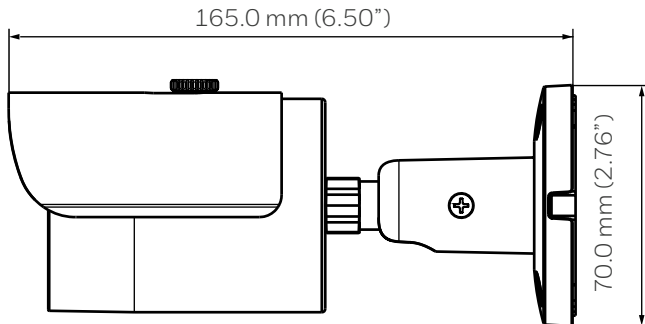
ORDERING

HONEYWELL PERFORMANCE SERIES IP CAMERAS

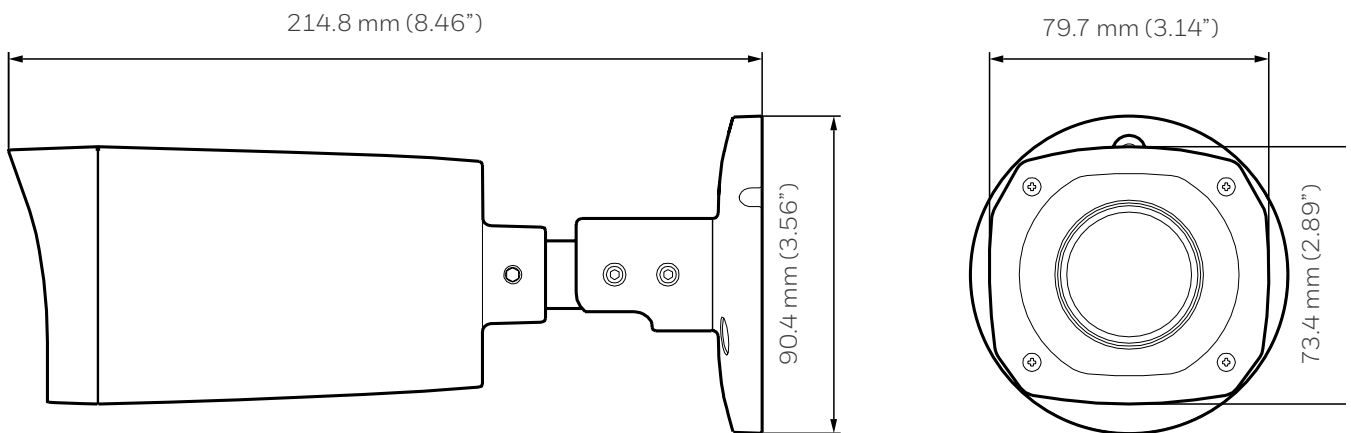
HBD1PR1	Network TDN IR Indoor/Outdoor Bullet Camera, 1/3" CMOS, 1.3 MP, 3.6 mm Fixed, 24 IR LEDs, PoE, H.264
HBD3PR1	Network TDN IR Indoor/Outdoor Bullet Camera, 1/3" CMOS, 3 MP, 3.6 mm Fixed, 24 IR LEDs, PoE, H.264
HBD3PR2	Network TDN IR Indoor/Outdoor Bullet Camera, 1/3" CMOS, 3 MP, 2.7-12 mm MFZ, 24 IR LEDs, PoE, H.264

DIMENSIONS

HBD1PR1/HBD3PR1



HBD3PR2



Find out more:

www.security.honeywell/performance_uk

Email: securitysales@honeywell.com

Honeywell Security and Fire

Europe, Middle East and Africa

United Kingdom

Aston Fields Road

Whitehouse Industrial Estate Runcorn

Cheshire

WA7 3DL

United Kingdom

Tel: +44 (0)8448 000 235

www.honeywell.com/security/uk

Middle East

Emaar Business Park, Sheikh Zayed Road

Building No. 2, 3rd Floor, Office No. 301

Post Office Box 232362

Dubai

United Arab Emirates

Tel: +971 44541704

www.honeywell.com/security/me

South Africa

Honeywell House – Treur Close Waterfall Park

Gauteng

PO Box 6674

Midrand 1685

South Africa

Tel: +27 (0)11 695 8000

www.honeywell.com/security/za

Italy

Via della Resistenza, 53/59

20090 Buccinasco

Milano

Italia

Tel: +39 (0) 248 880 51

www.honeywell.com/security/it